



bajadesigns[®]
THE SCIENTISTS OF LIGHTING

Surron White/IR Headlight Kit

(44-8224, 44-8260)



2950 Norman Strasse San Marcos, CA 92069

Phone 760-560-2252 X3 • Fax 760-560-0383

info@bajadesigns.com • www.bajadesigns.com

Required Tool(s):

- Sockets: 10mm, 7/16", 9/16"
- Wrenches: 7/16", 9/16"
- Hex Tool: 3mm, 4mm, 5mm Hex Tool
- Misc Tool: 1/4" Drill Bit

Headlight Mount Installation and Wiring



Headlight Kit Mounting

Step 1 [Headlight Kit]: Remove two M6 panhead screws using a 4mm hex key. One on each side of the ignition key barrel.

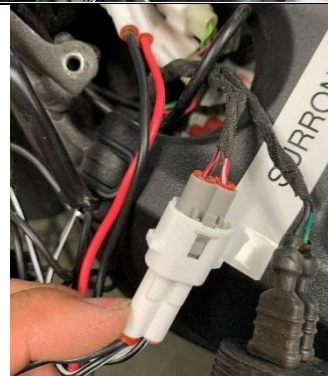


Step 2: Unplug the stock headlight connector with the two following wire colors:

- RED wire, WHITE stripe
- RED wire, BLACK stripe

Remove the stock headlight.

Then, plug in the white connector on the handlebar switch harness.





Step 3: The handle bar switch harness should be mounted as shown to the right.



Step 4: Neatly tuck the excess wire back into the frame of the bike and have the leads of the handle bar harness exiting the ignition switch plastic as circled to the right.

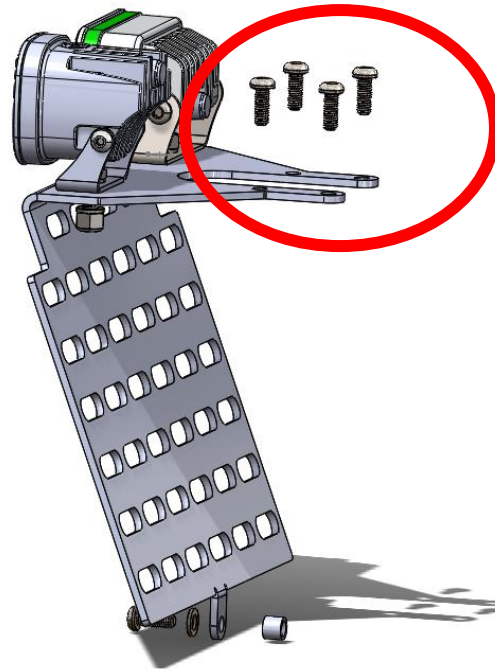
Secure the plastic back in place with the two M6 panhead screws.



Step 5: Unscrew (4) M6 panhead screws on the triple tree using a 4mm Allen key and secure the headlight bracket with it now in between the hardware and triple tree.

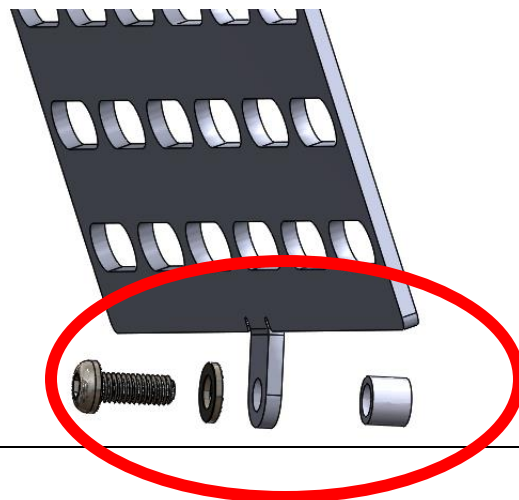


Attach the lights to the bracket with appropriate hardware from the hardware bags. (Single LED light on left and Dual LED light on right if sitting on bike)



Secure the bottom of the headlight bracket with the supplied M6 screw, washer, and metal spacer.

Route the power cables under the handlebars and away from any sharp objects.



Step 6: Plug the lead from the right switch into the light on the right and vice versa.

Test for functionality

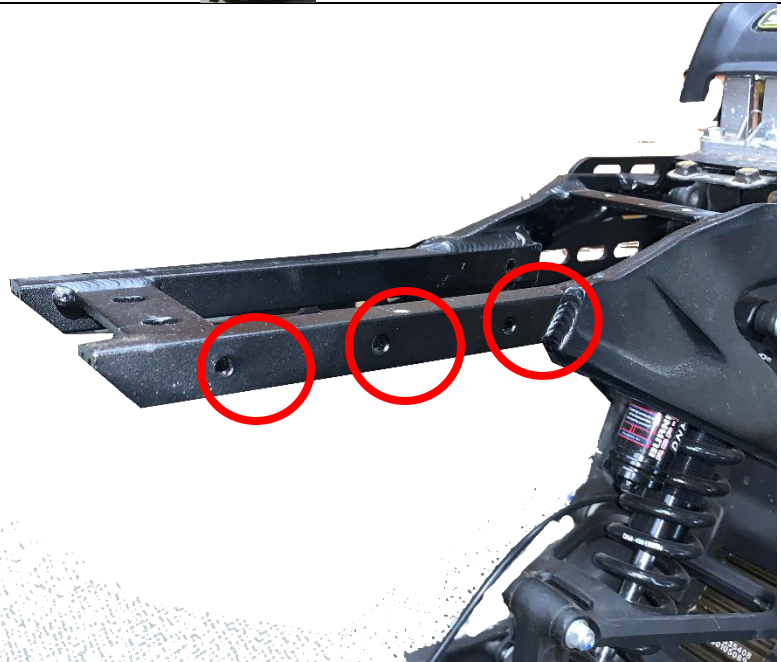


Side Storage Plate and Seat Extension Installation



Step 7: Remove the seat from the bike using a 10mm socket. Set the nuts that secure the seat to the frame aside for use later.

Also remove the plastic inserts that snap into the seat frame from both sides. These will not be needed.



Step 8: Unscrew (2) M8 screws that support the rear seat frame on each side of the bike encircled to the right using a 5mm hex key.

DO NOT UNSCREW ALL FOUR at one time. Remove screws only on one side at a time.



Step 9: Using the supplied M8 Panhead screws and M8 washers, carefully install the side mounting plate to the bike frame.

Repeat this step on the other side.



Step 10: Using a ¼" drill bit, open up the existing holes in the square tube seat frame (circled in step 7) and side mount plate to allow for the supplied ¼"-20 hardware to pass through.

Then, place the seat extension over the side mount plates and if necessary, drill out the seat extension to allow for the hardware to pass through.



Step 11:

Drill out the circled location to the right, secure the seat extension, side plate, and seat frame using the supplied ¼"-20 x 1-3/8" bolts.



Step 12:

Lastly, secure the seat extension to the side plate using the supplied ¼"-20 x 5/8" hardware at the third circled location on the top-most picture.

Make sure that the holes are showing through the opening on the seat extension (shown in oval)



Step 13: Reinstall the seat.



Step 14: Reinstall the nuts on the underside of the seat to secure it to the frame.



*Tie all wires away from sharp, hot, and/or rotating components.

* Re-torque all the fasteners after 100 miles.

*Your install is now complete! Thank you for choosing Baja Designs.